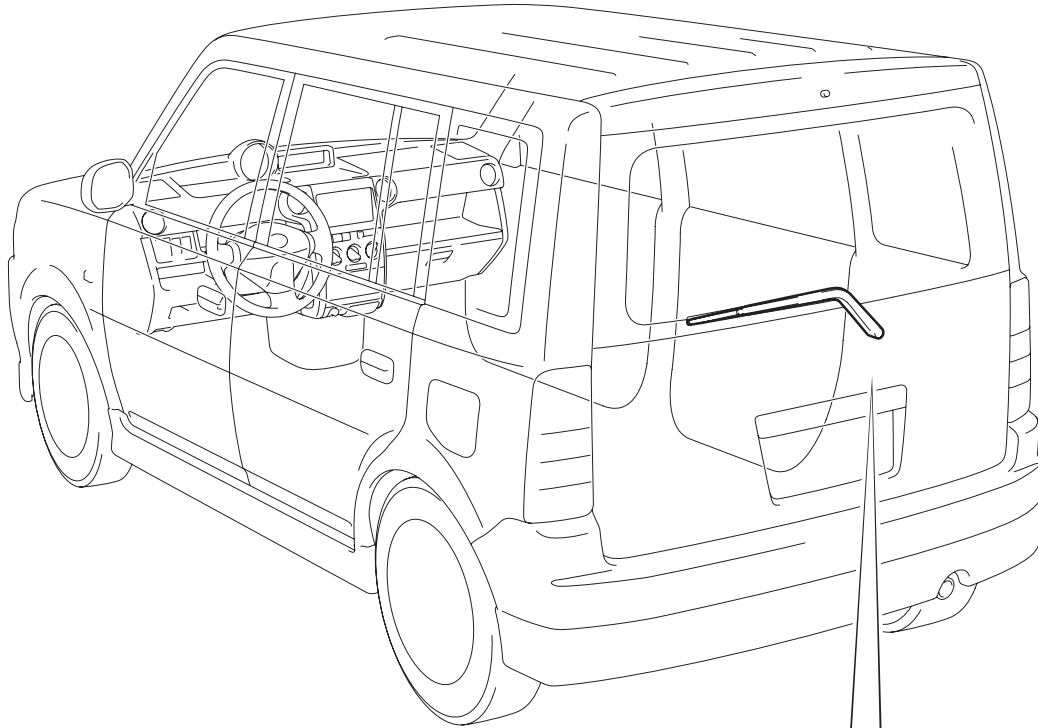
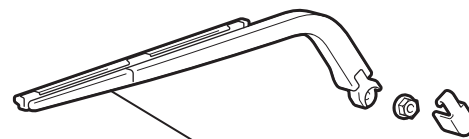


REAR WIPER RUBBER

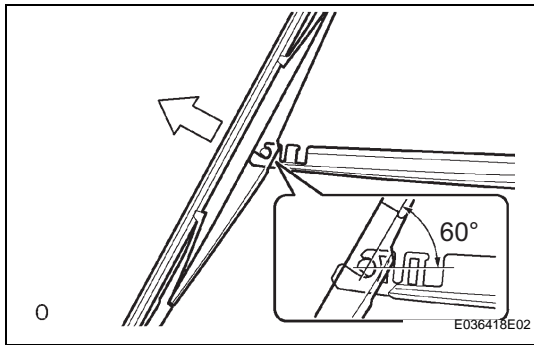
COMPONENTS



WW



REAR WIPER BLADE
- REAR WIPER RUBBER



REMOVAL

1. REMOVE REAR WIPER BLADE

- (a) Raise the wiper blade to the position as where the claw detach with a click sound, as shown in the illustration.

NOTICE:

Be careful not to break the claw.

- (b) Pull the rear wiper blade straight from the wiper arm toward the left side of the vehicle.

NOTICE:

Do not fold the rear wiper arm with the rear wiper blade having been removed from it.

2. REMOVE REAR WIPER RUBBER

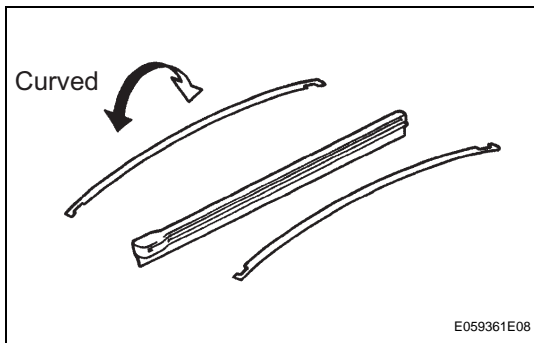
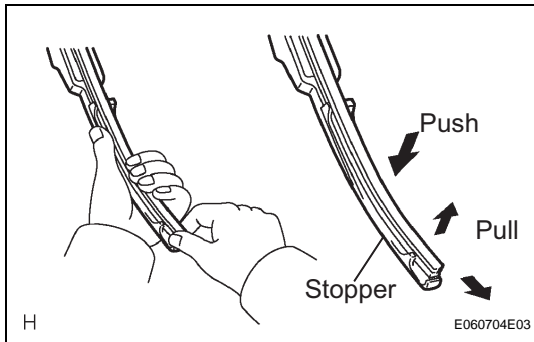
- (a) Pull on the end of the wiper rubber protruding from the blade stopper as shown in the illustration.

NOTICE:

Do not forcibly pull out the wiper rubber as, the backing plates will be deformed or the blade claw will be damaged.

HINT:

Pushing the rubber from the ends towards the middle will allow it to be removed more easily.



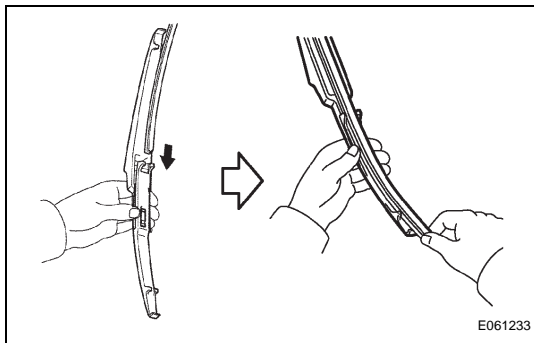
INSTALLATION

1. INSTALL REAR WIPER RUBBER

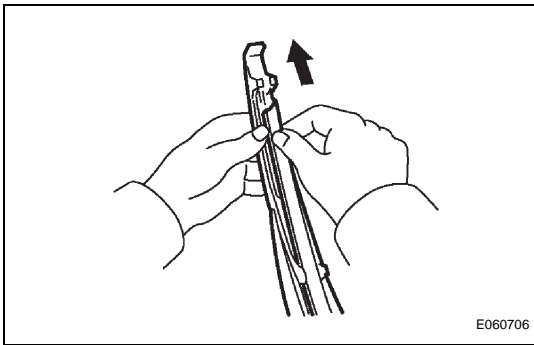
- (a) Install the 2 wiper rubber backing plates to the wiper rubber.

NOTICE:

Be sure to install the wiper rubber backing plates in the right direction.



- (b) Insert the wiper rubber from the claw position of the middle of the wiper blade into the end position.



- (c) After passing the wiper rubber through the end side claw, allow it to stick out from the rear end stopper and slide it through the front tip side claw.

2. INSTALL REAR WIPER BLADE

- (a) Attach the rear wiper blade to the wiper.

HINT:

Install the wiper blade so that a click sound is heard.