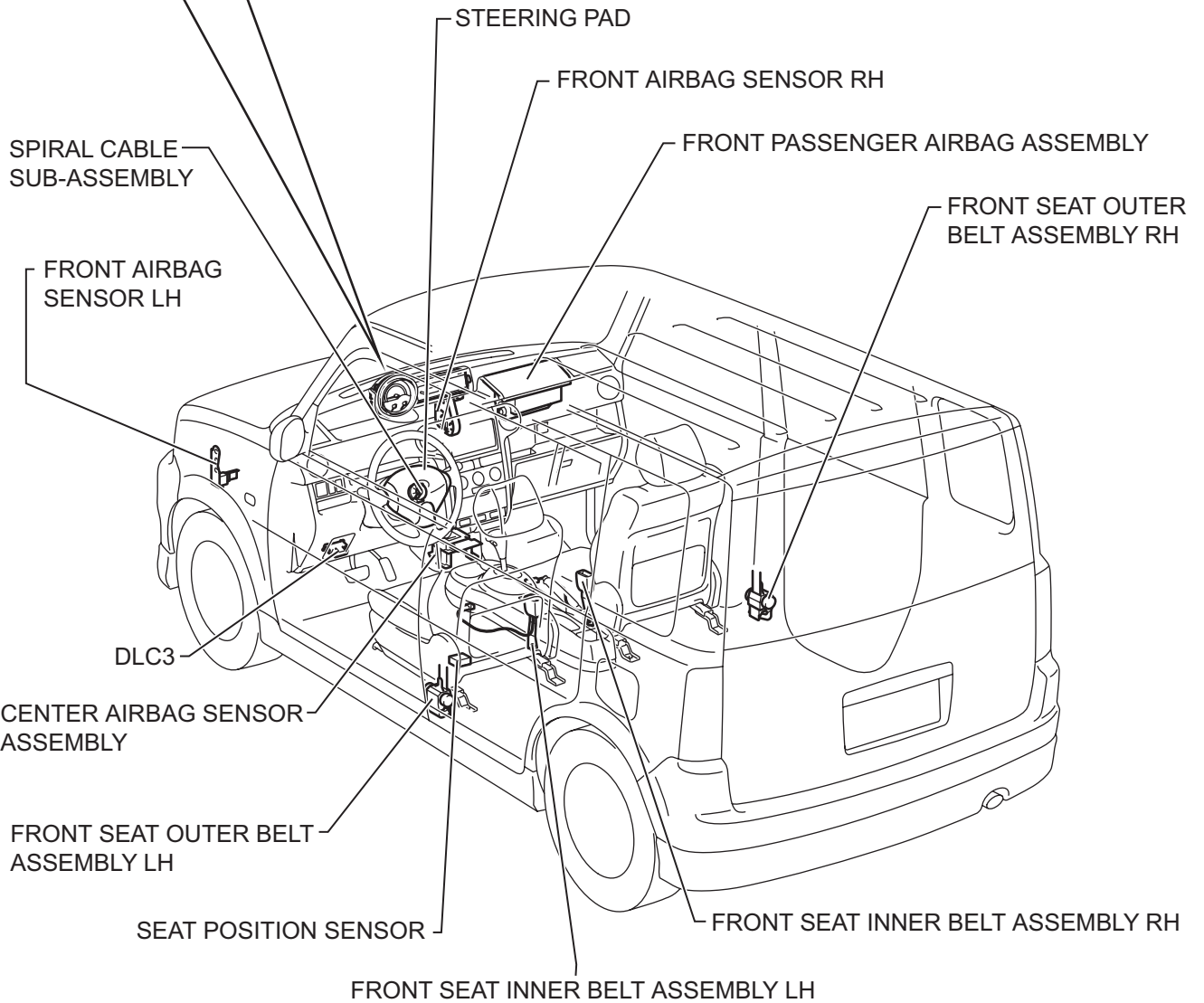
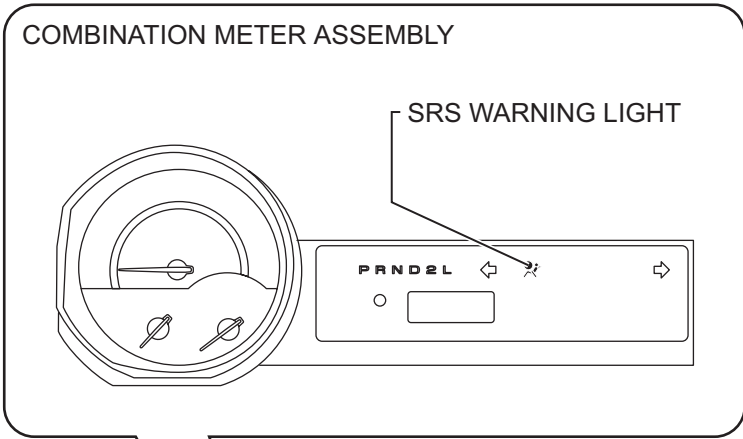


# PARTS LOCATION

RS



H

H101082E01

## SYSTEM DIAGRAM

### 1. RELEASE METHOD OF ACTIVATION PREVENTION MECHANISM

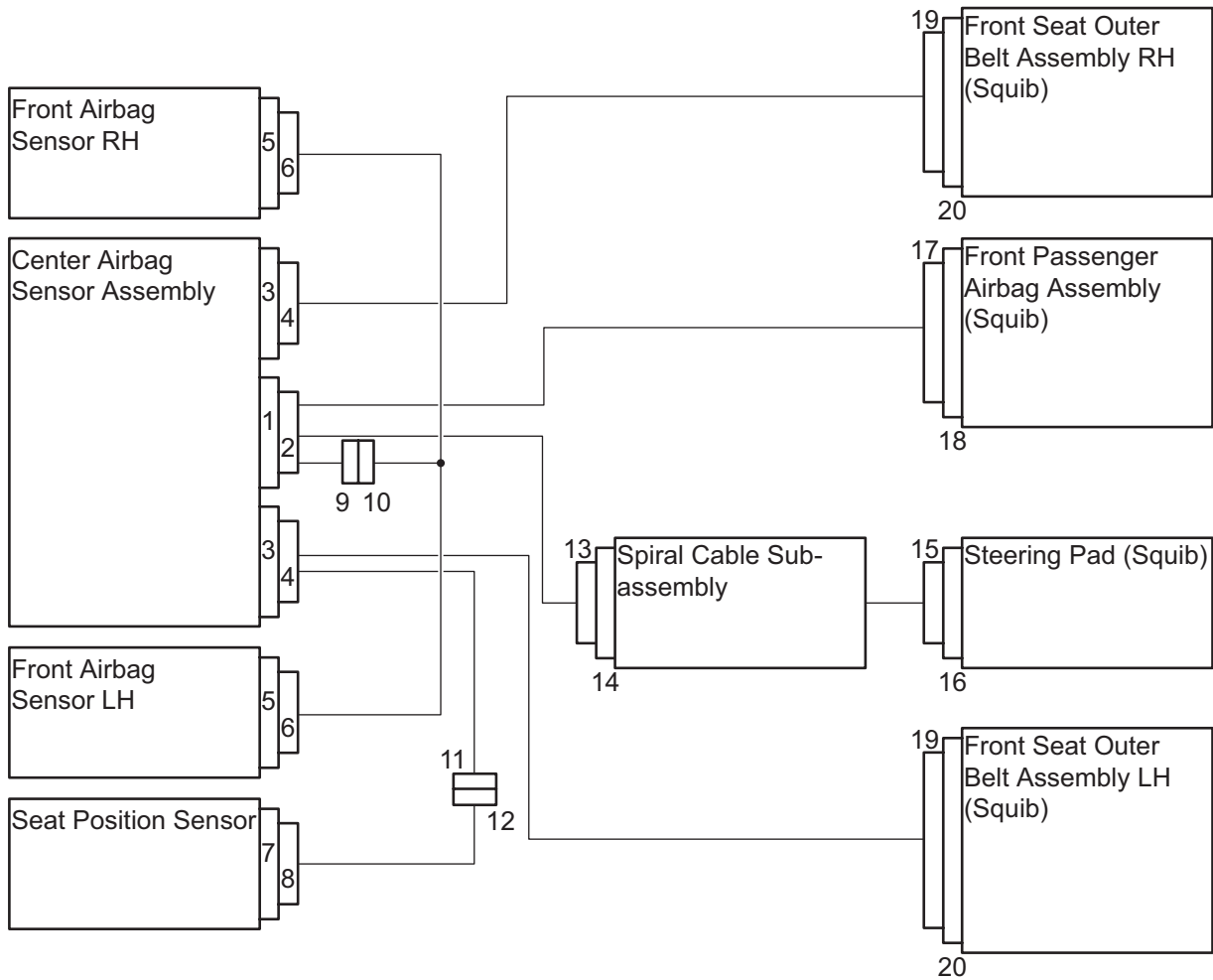
- (a) The activation prevention mechanism is built into the connector for the squib circuit of the SRS. As explained in the troubleshooting section, insert a piece of paper that is the same thickness as the male terminal between the terminal and the short spring to release it (refer to illustration).

**CAUTION:**

**Never release the activation prevention mechanism on the squib connector.**

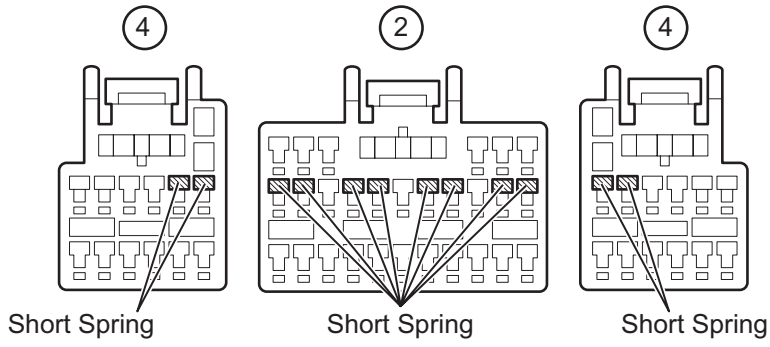
**NOTICE:**

- **Do not release the activation prevention mechanism unless specially directed by the troubleshooting procedure.**
- **To prevent the terminal and short spring from becoming damaged, always use a piece of paper that is the same thickness as the male terminals.**



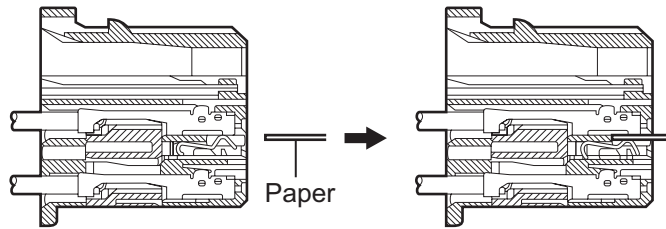
RS

Center Airbag Sensor Assembly Connector

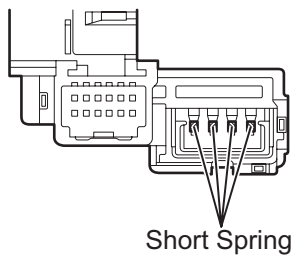


Before Release

After Release

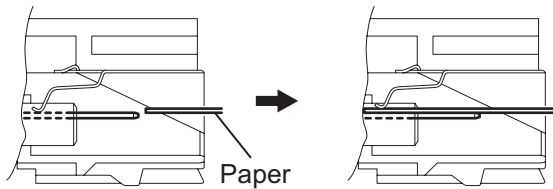


Connector ⑭

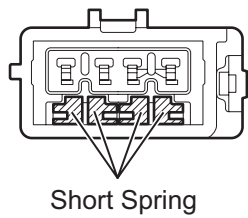


Before Release

After Release



Connector ⑱



Before Release

After Release

