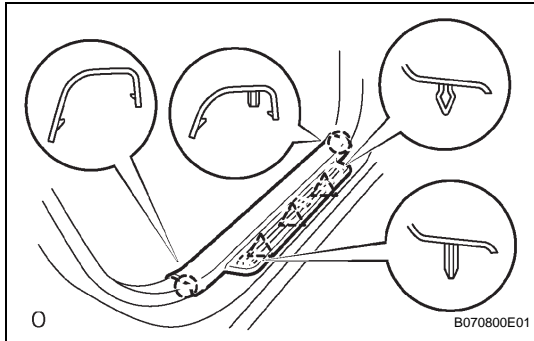


REMOVAL

1. **DISCONNECT CABLE FROM NEGATIVE BATTERY TERMINAL**

CAUTION:

Wait at least 90 seconds after disconnecting the cable from the negative (-) battery terminal to prevent airbag and seat belt pretensioner activation.



2. **REMOVE FRONT DOOR SCUFF PLATE RH**

(a) Using a screwdriver, detach the 2 claws and 3 clips, and remove the scuff plate.

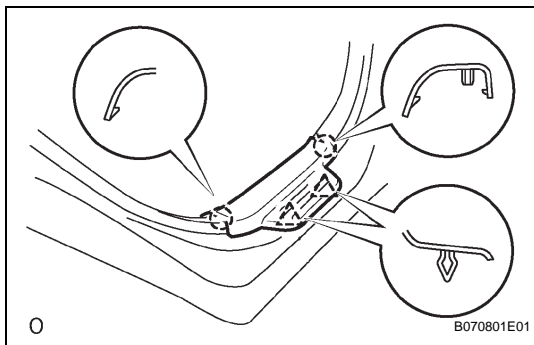
HINT:

Tape the screwdriver tip before use.

3. **REMOVE FRONT DOOR SCUFF PLATE LH**

HINT:

Use the same procedures described for the RH side.



4. **REMOVE REAR DOOR SCUFF PLATE RH**

(a) Using a screwdriver, detach the 2 claws and 2 clips, and remove the scuff plate.

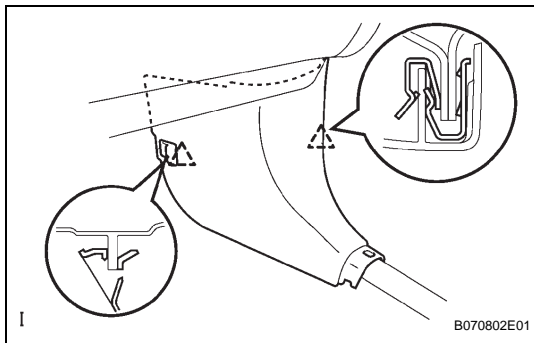
HINT:

Tape the screwdriver tip before use.

5. **REMOVE REAR DOOR SCUFF PLATE LH**

HINT:

Use the same procedures described for the RH side.



6. **REMOVE COWL SIDE TRIM BOARD RH**

(a) Using a screwdriver, detach the 2 clips and remove the trim board.

HINT:

Tape the screwdriver tip before use.

7. **REMOVE COWL SIDE TRIM BOARD LH**

HINT:

Use the same procedures described for the RH side.

8. **REMOVE FRONT DOOR OPENING TRIM RH**

9. **REMOVE FRONT DOOR OPENING TRIM LH**

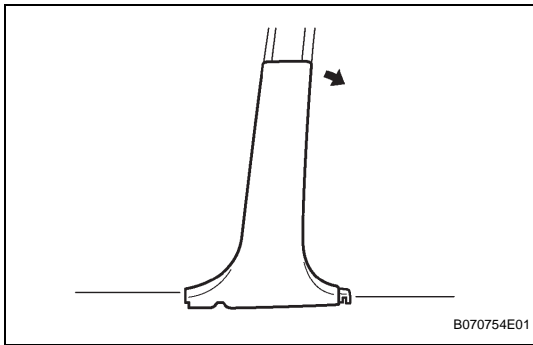
10. **REMOVE REAR DOOR OPENING TRIM RH**

11. **REMOVE REAR DOOR OPENING TRIM LH**

12. **REMOVE CENTER PILLAR GARNISH LOWER RH**

(a) Remove the floor anchor cover.

(b) Remove the bolt and front seat outer belt floor anchor.



(c) Remove the center pillar garnish.

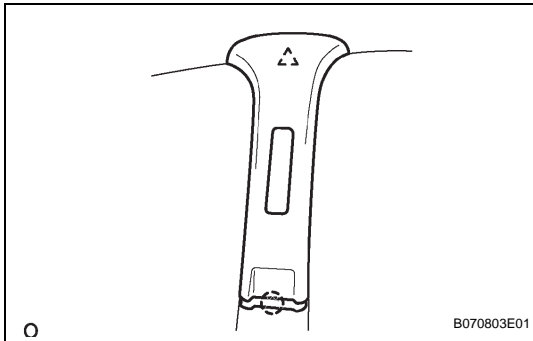
13. REMOVE CENTER PILLAR GARNISH LOWER LH

HINT:

Use the same procedures described for the RH side.

14. REMOVE CENTER PILLAR GARNISH UPPER RH

- (a) Remove the shoulder anchor cover.
- (b) Remove the bolt and front seat outer belt shoulder anchor.



(c) Detach the claw and clip, and remove the center pillar garnish by pulling it up.

15. REMOVE CENTER PILLAR GARNISH UPPER LH

HINT:

Use the same procedures described for the RH side.

16. REMOVE NO. 1 DECK BOARD

17. REMOVE NO. 2 DECK BOARD

18. REMOVE DECK FLOOR BOX RH

19. REMOVE DECK FLOOR BOX LH

20. REMOVE REAR SEAT CUSHION WITH COVER PAD SUB-ASSEMBLY (See page SE-12)

21. REMOVE REAR SEATBACK ASSEMBLY LH (See page SE-12)

22. REMOVE REAR SEATBACK ASSEMBLY RH (See page SE-12)

23. REMOVE BACK DOOR WEATHERSTRIP

24. REMOVE DECK TRIM COVER REAR

- (a) Using a clip remover, remove the 2 clips.
- (b) Using a screwdriver, detach the 4 clips and remove the trim cover.

HINT:

Tape the screwdriver tip before use.

25. REMOVE DECK TRIM SIDE PANEL ASSEMBLY RH

- (a) Remove the 2 bolts and 2 hooks.
- (b) Remove the bolt and seatback hinge.
- (c) Remove the bolt and rear seat 3 point type belt floor anchor.

- (d) Using a screwdriver, detach the 3 claws and 5 clips, and remove the side panel.

HINT:

Tape the screwdriver tip before use.

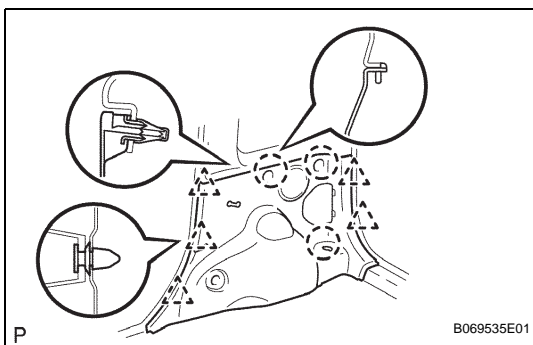
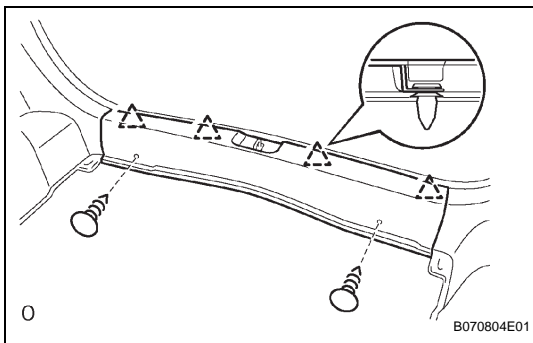
26. REMOVE DECK TRIM SIDE PANEL ASSEMBLY LH

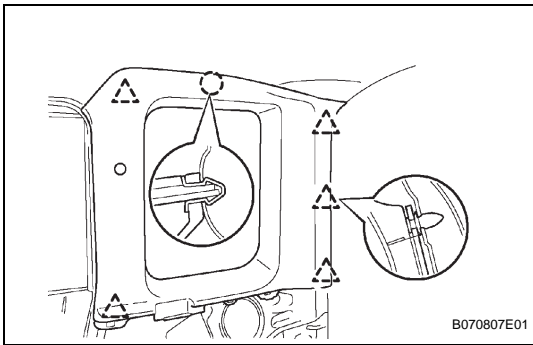
HINT:

Use the same procedures described for the RH side.

27. REMOVE ROOF SIDE GARNISH INNER RH

- (a) Remove the bolt and rear seat 3 point type belt shoulder anchor.





- (b) Using a screwdriver, detach the claw and 5 clips and remove the side garnish.

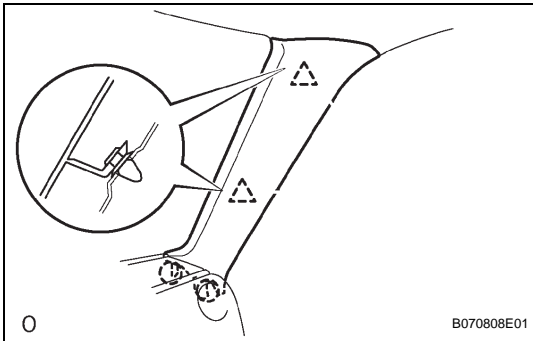
HINT:

Tape the screwdriver tip before use.

28. REMOVE ROOF SIDE GARNISH INNER LH

HINT:

Use the same procedures described for the RH side.



29. REMOVE FRONT PILLAR GARNISH RH

- (a) Using a screwdriver, detach the 2 claws and 2 clips, and remove the garnish by pulling it up.

HINT:

Tape the screwdriver tip before use.

30. REMOVE FRONT PILLAR GARNISH LH

HINT:

Use the same procedures described for the RH side.

31. REMOVE INNER REAR VIEW MIRROR ASSEMBLY (See page MI-5)

32. REMOVE VISOR ASSEMBLY RH

- (a) Remove the 2 screws and visor.

33. REMOVE VISOR ASSEMBLY LH

- (a) Remove the 2 screws and visor.

34. REMOVE NO. 1 ROOM LIGHT ASSEMBLY

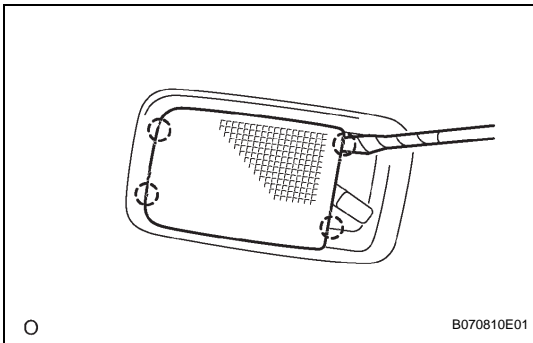
- (a) Using a screwdriver, detach the 4 claws and remove the lens cover.

HINT:

Tape the screwdriver tip before use.

- (b) Remove the 2 screws and light.

- (c) Disconnect the connector.



35. REMOVE VISOR HOLDER RH

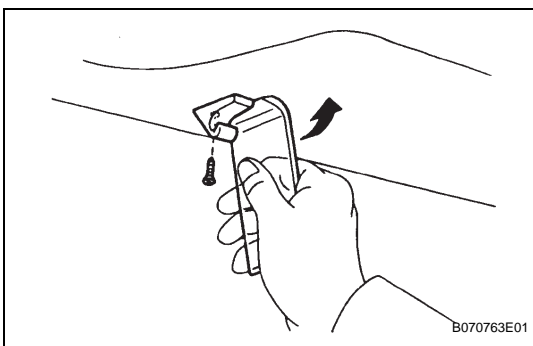
- (a) Remove the screw.

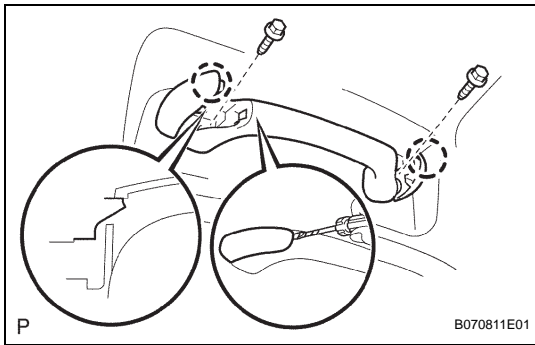
- (b) Using a moulding remover, detach the 3 claws and remove the holder.

36. REMOVE VISOR HOLDER LH

HINT:

Use the same procedures described for the RH side.





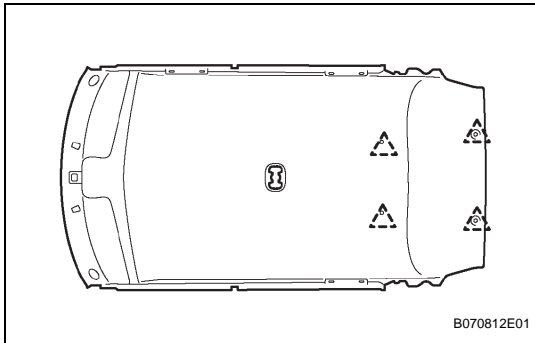
37. REMOVE ASSIST GRIP SUB-ASSEMBLY

- (a) Using a screwdriver, detach the 2 claws and open the assist grip covers.

HINT:

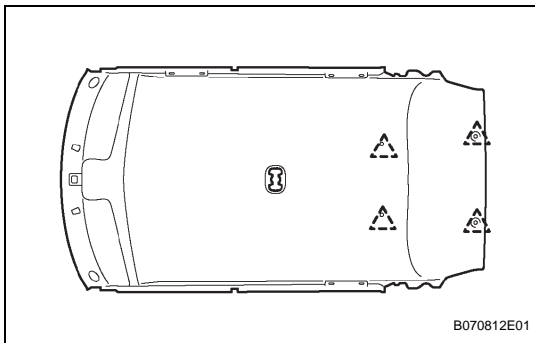
Tape the screwdriver tip before use.

- (b) Remove the 2 bolts and assist grip.



38. REMOVE ROOF HEADLINING ASSEMBLY

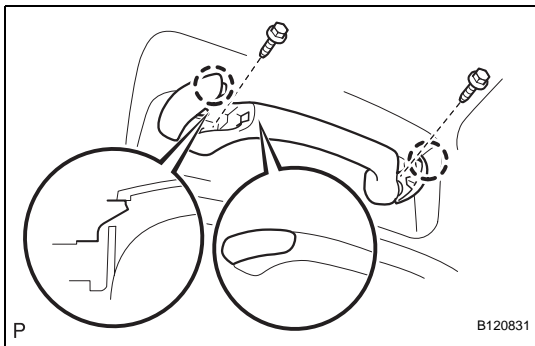
- (a) Using a clip remover, remove the 4 clips and headlining.



INSTALLATION

1. INSTALL ROOF HEADLINING ASSEMBLY

- (a) Install the headlining with the 4 clips.



2. INSTALL ASSIST GRIP SUB-ASSEMBLY

- (a) Install the assist grip with the 2 bolts.
- (b) Attach the 2 claws to install the assist grip covers.

3. INSTALL VISOR HOLDER RH

- (a) Attach the 3 claws to install the holder.

- (b) Install the screw.

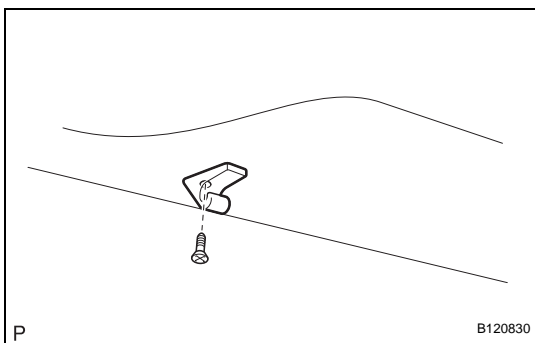
4. INSTALL VISOR HOLDER LH

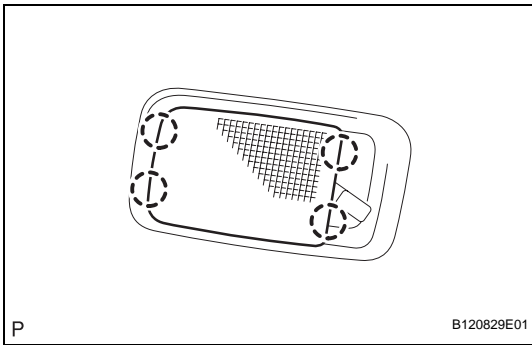
HINT:

Use the same procedures described for the RH side

5. INSTALL NO. 1 ROOM LIGHT ASSEMBLY

- (a) Connect the connector.
- (b) Install the light with the 2 screws.





(c) Attach the 4 claws to install the lens cover.

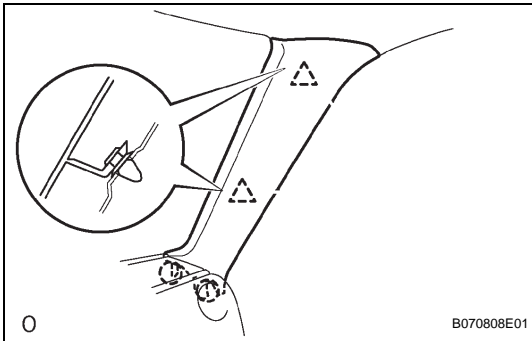
6. INSTALL VISOR ASSEMBLY RH

(a) Install the visor with the 2 screws.

7. INSTALL VISOR ASSEMBLY LH

(a) Install the visor with the 2 screws.

8. INSTALL INNER REAR VIEW MIRROR ASSEMBLY (See page MI-5)



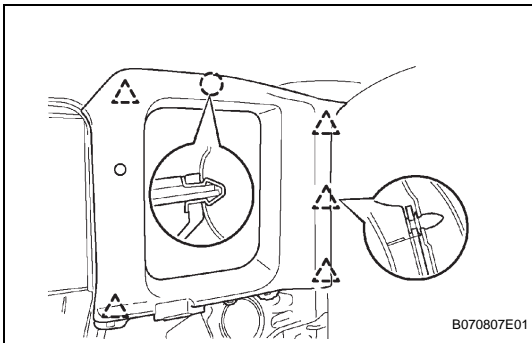
9. INSTALL FRONT PILLAR GARNISH RH

(a) Attach the 2 claws and 2 clips to install the garnish.

10. INSTALL FRONT PILLAR GARNISH LH

HINT:

Use the same procedures described for the RH side.



11. INSTALL ROOF SIDE GARNISH INNER RH

(a) Attach the claw and 5 clips to install the side garnish.

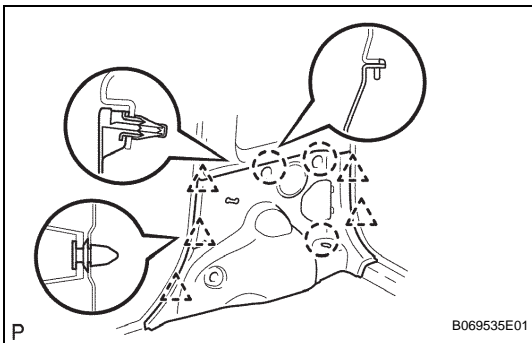
(b) Install the rear seat 3 point type belt shoulder anchor with the bolt.

Torque: 42 N*m (428 kgf*cm, 31 ft.*lbf)

12. INSTALL ROOF SIDE GARNISH INNER LH

HINT:

Use the same procedures described for the RH side.



13. INSTALL DECK TRIM SIDE PANEL ASSEMBLY RH

(a) Attach the 3 claws and 5 clips to install the side panel.

(b) Install the rear seat 3 point type belt floor anchor with the bolt.

Torque: 42 N*m (428 kgf*cm, 31 ft.*lbf)

(c) Install the seatback hinge with the bolt.

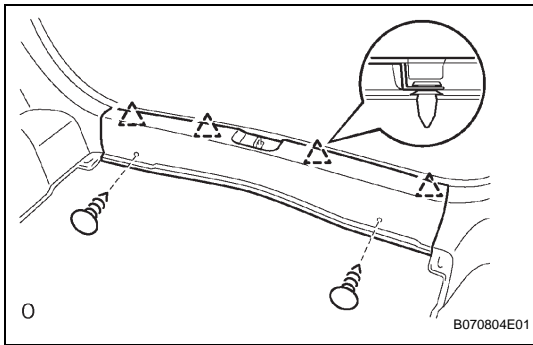
Torque: 42 N*m (428 kgf*cm, 31 ft.*lbf)

(d) Install the 2 hooks with the 2 bolts.

14. INSTALL DECK TRIM SIDE PANEL ASSEMBLY LH

HINT:

Use the same procedures described for the RH side.



15. **INSTALL DECK TRIM COVER REAR**
 - (a) Attach the 4 clips to install the trim cover.
 - (b) Install the 2 clips.

16. **INSTALL BACK DOOR WEATHERSTRIP**

17. **INSTALL REAR SEATBACK ASSEMBLY LH (See page SE-17)**

18. **INSTALL REAR SEATBACK ASSEMBLY RH (See page SE-17)**

19. **INSTALL REAR SEAT CUSHION WITH COVER PAD SUB-ASSEMBLY**

20. **INSTALL DECK FLOOR BOX RH**

21. **INSTALL DECK FLOOR BOX LH**

22. **INSTALL NO. 2 DECK BOARD**

23. **INSTALL NO. 1 DECK BOARD**

24. **INSTALL CENTER PILLAR GARNISH UPPER RH**

- (a) Attach the claw and clip to install the center pillar garnish.
- (b) Install the front seat outer belt shoulder anchor with the bolt.
Torque: 42 N*m (428 kgf*cm, 31 ft.*lbf)
- (c) Install the shoulder anchor cover.

25. **INSTALL CENTER PILLAR GARNISH UPPER LH**

- HINT:**
Use the same procedures described for the RH side.

26. **INSTALL CENTER PILLAR GARNISH LOWER RH**

- (a) Install the center pillar garnish.
- (b) Install the front seat outer belt floor anchor with the bolt.
Torque: 42 N*m (428 kgf*cm, 31 ft.*lbf)
- (c) Install the floor anchor cover.

27. **INSTALL CENTER PILLAR GARNISH LOWER LH**

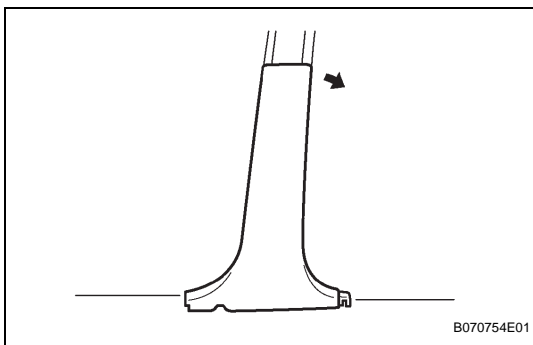
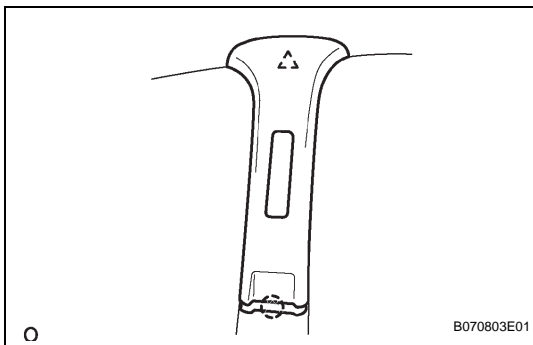
- HINT:**
Use the same procedures described for the RH side.

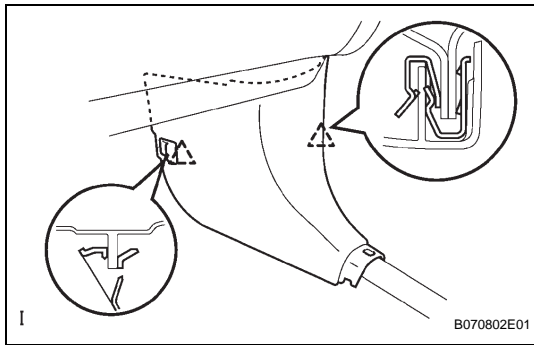
28. **INSTALL REAR DOOR OPENING TRIM RH**

29. **INSTALL REAR DOOR OPENING TRIM LH**

30. **INSTALL FRONT DOOR OPENING TRIM RH**

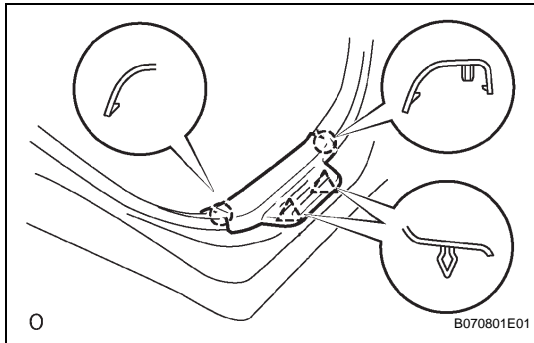
31. **INSTALL FRONT DOOR OPENING TRIM LH**





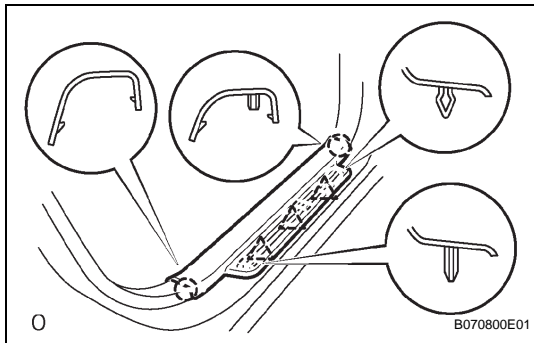
- 32. INSTALL COWL SIDE TRIM BOARD RH**
 (a) Attach the 2 clips to install the trim board.

- 33. INSTALL COWL SIDE TRIM BOARD LH**
 HINT:
 Use the same procedures described for the RH side.



- 34. INSTALL REAR DOOR SCUFF PLATE RH**
 (a) Attach the 2 claws and 2 clips to install the scuff plate.

- 35. INSTALL REAR DOOR SCUFF PLATE LH**
 HINT:
 Use the same procedures described for the RH side.



- 36. INSTALL FRONT DOOR SCUFF PLATE RH**
 (a) Attach the 2 claws and 3 clips to install the scuff plate.

- 37. INSTALL FRONT DOOR SCUFF PLATE LH**
 HINT:
 Use the same procedures described for the RH side.

- 38. CONNECT CABLE TO NEGATIVE BATTERY TERMINAL**