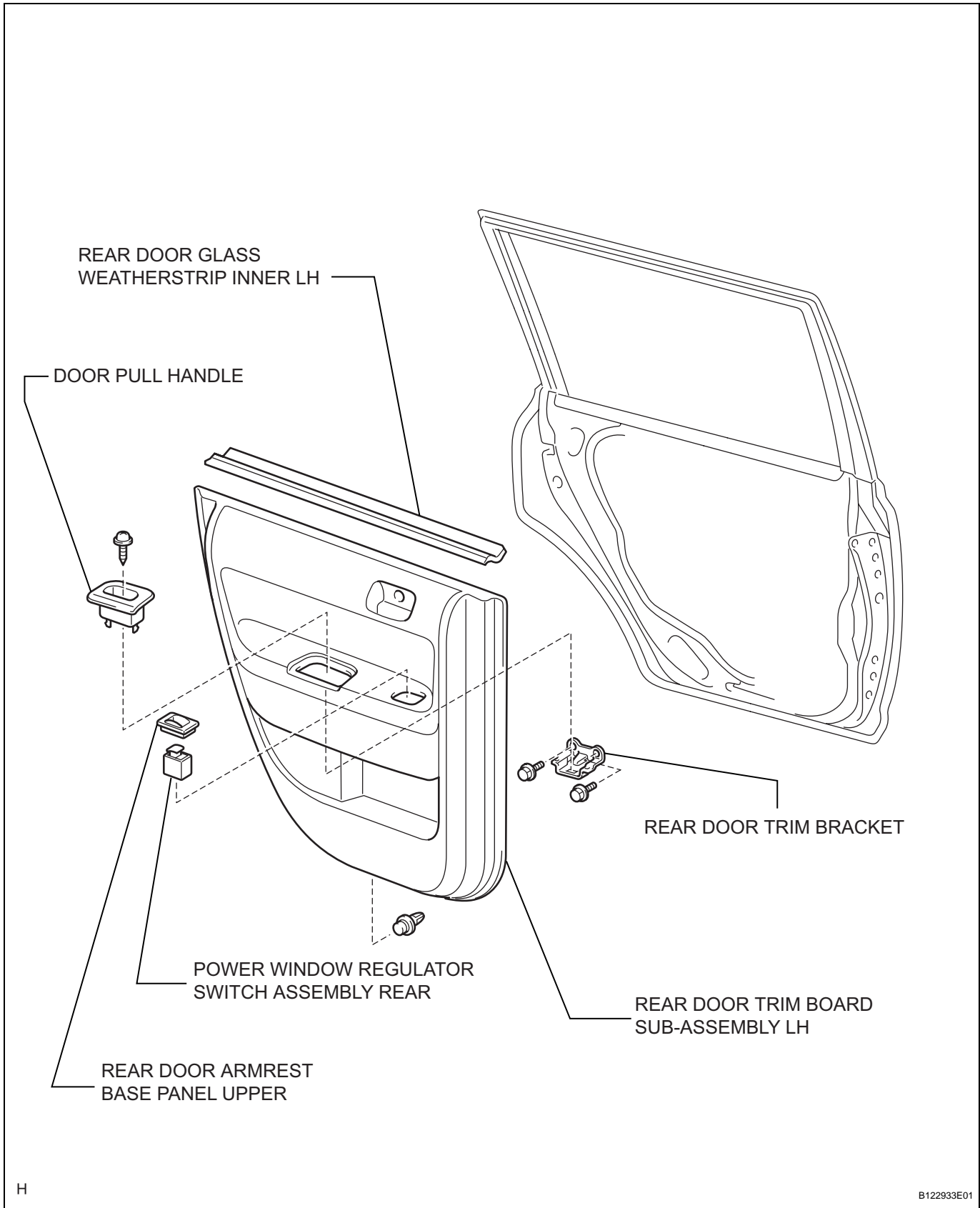
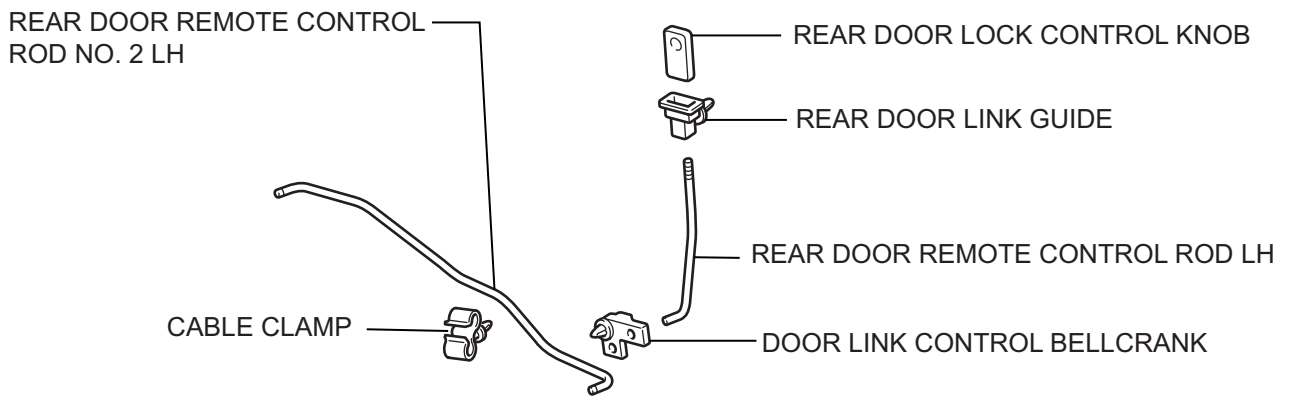
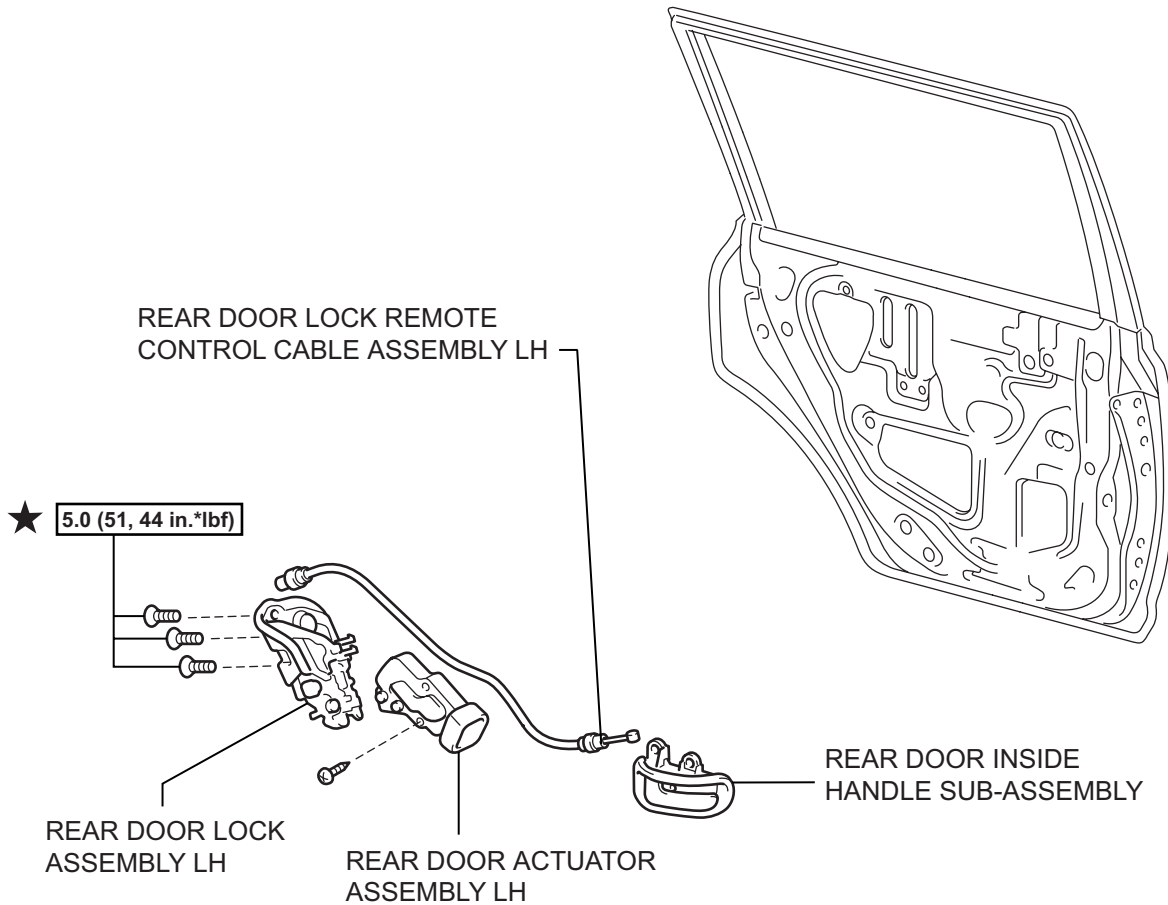


REAR DOOR COMPONENTS

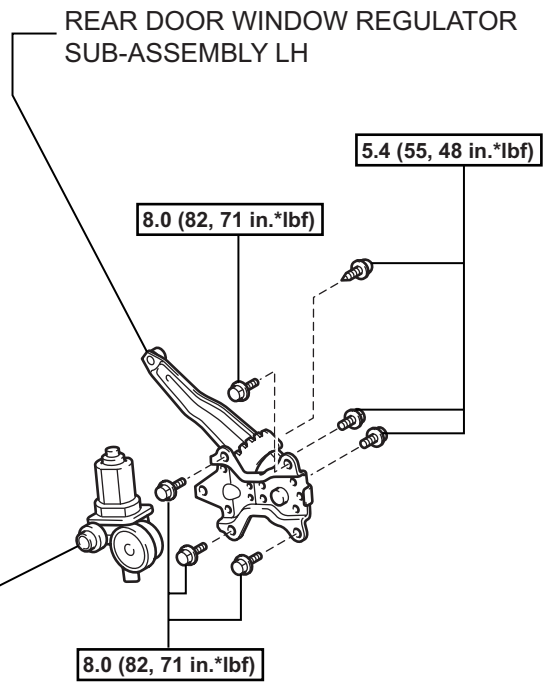
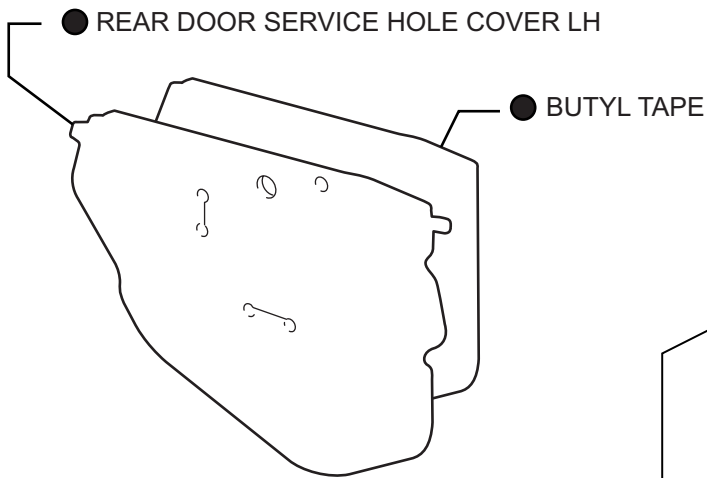
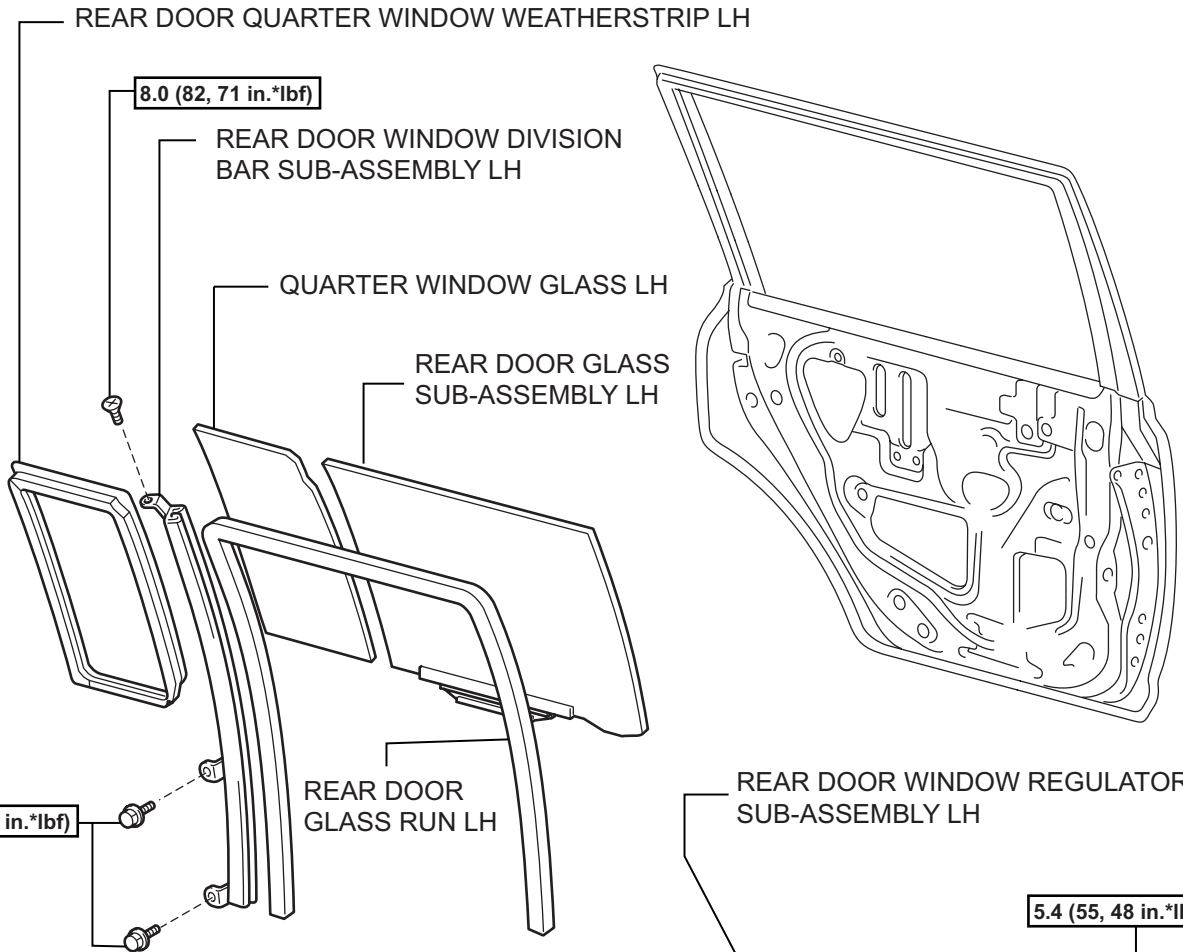




N*m (kgf*cm, ft.*lbf) : Specified torque

★ Precoated part

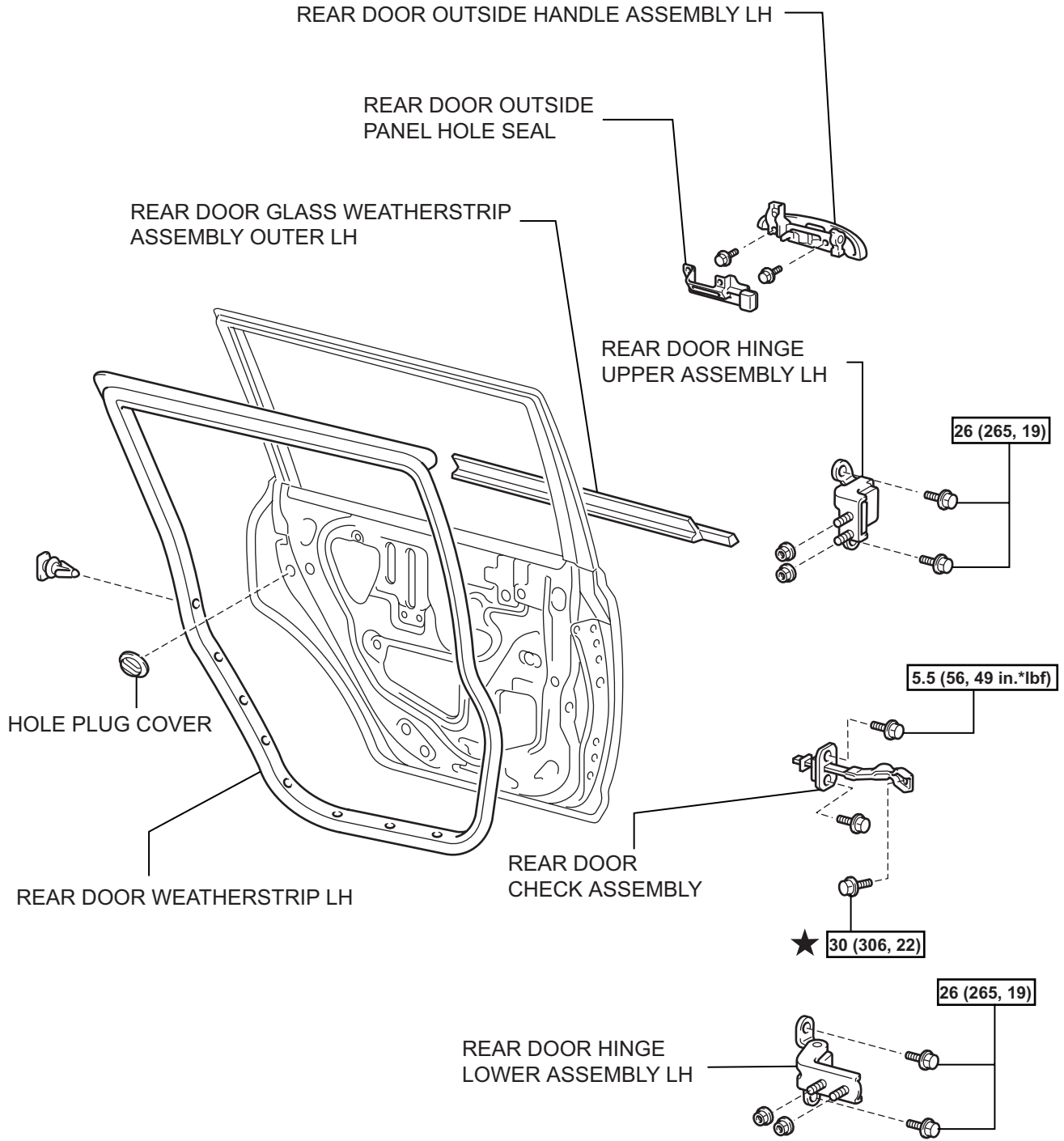
ED



N*m (kgf*cm, ft.*lbf) : Specified torque

● Non-reusable part

ED



N*m (kgf*cm, ft.*lbf) : Specified torque

★ Precoated part

ED