

RADIO ANTENNA HOLDER

REMOVAL

1. **DISCONNECT CABLE FROM NEGATIVE BATTERY TERMINAL**

CAUTION:

Wait at least 90 seconds after disconnecting the cable from the negative (-) battery terminal to prevent airbag and seat belt pretensioner activation.

2. **REMOVE ROOF HEADLINING ASSEMBLY**

(a) Remove the headlining (see page [IR-6](#)).

3. **REMOVE INSTRUMENT PANEL SUB-ASSEMBLY**

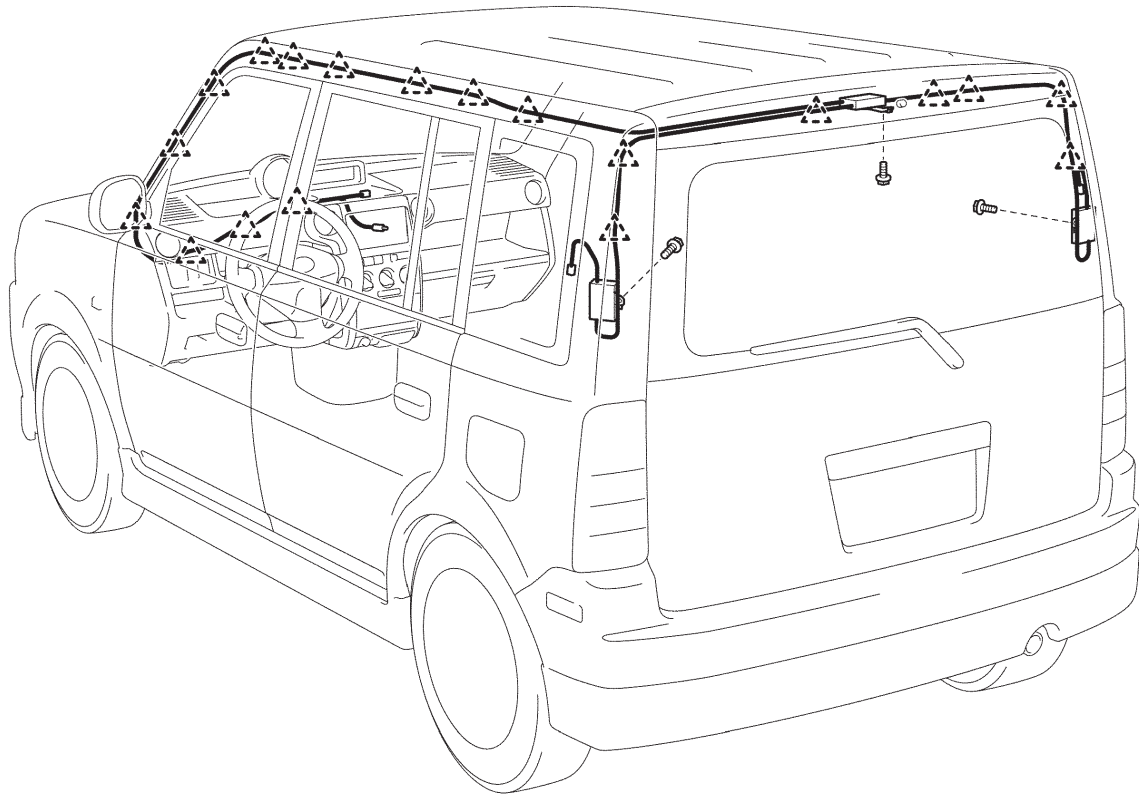
(a) Remove the instrument panel (see page [IP-4](#)).

4. **REMOVE ANTENNA HOLDER ASSEMBLY**

(a) Disconnect the connectors.

(b) Remove the 19 clamps and 3 bolts.

(c) Remove the antenna holder.



AV