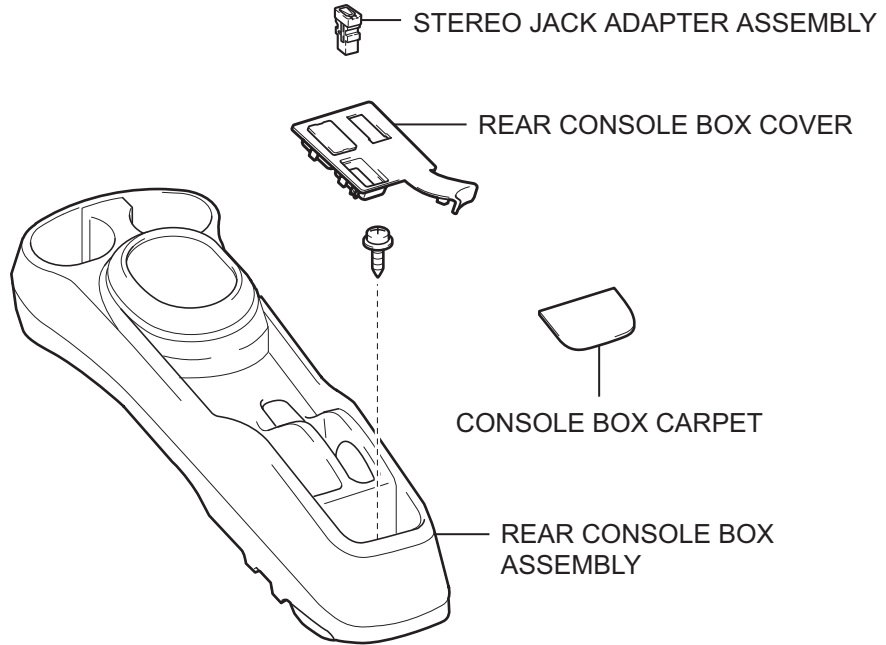
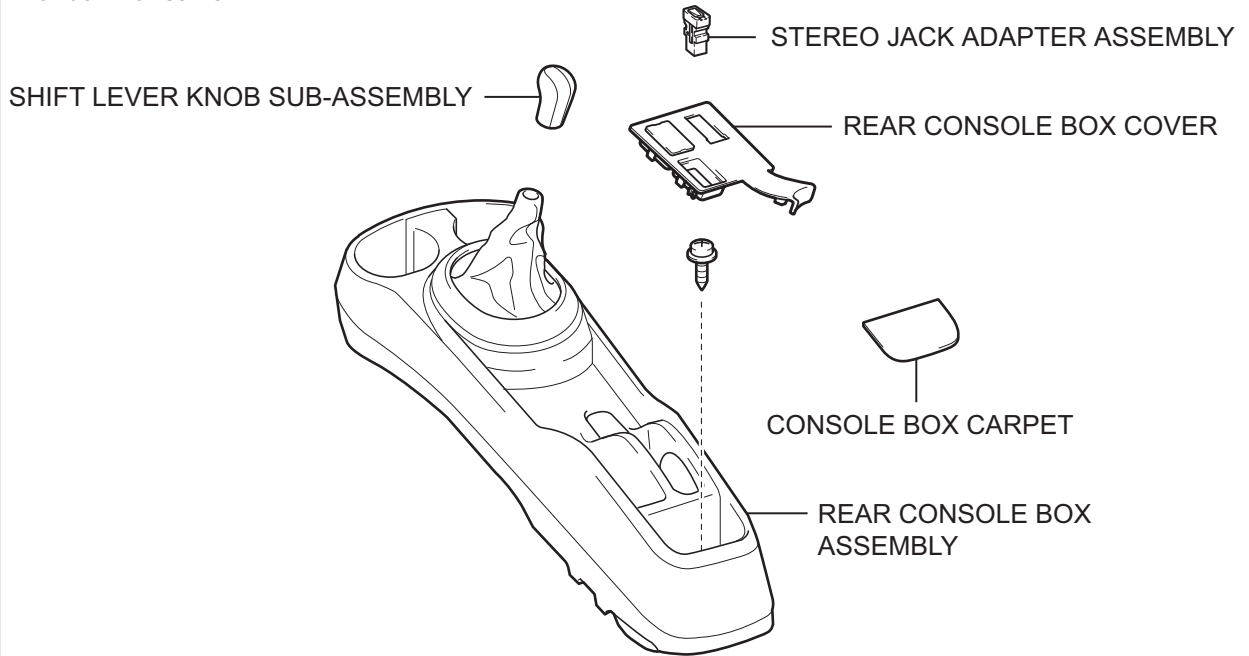


# FUEL TANK COMPONENTS

Automatic Transaxle

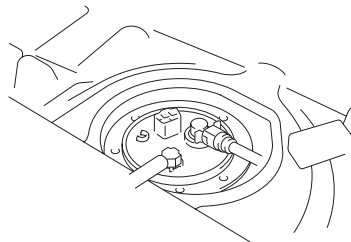
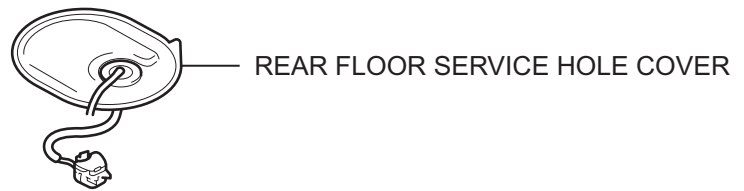
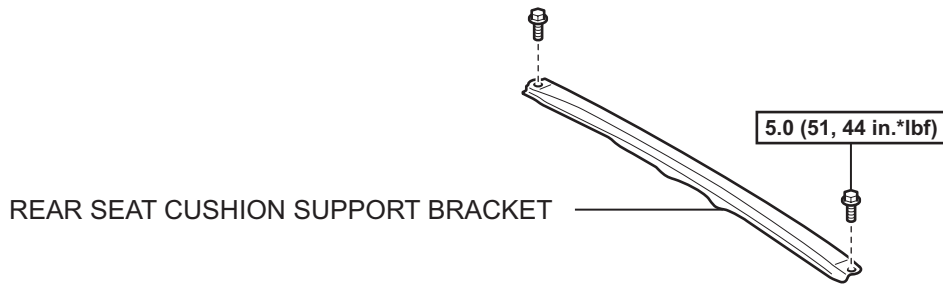
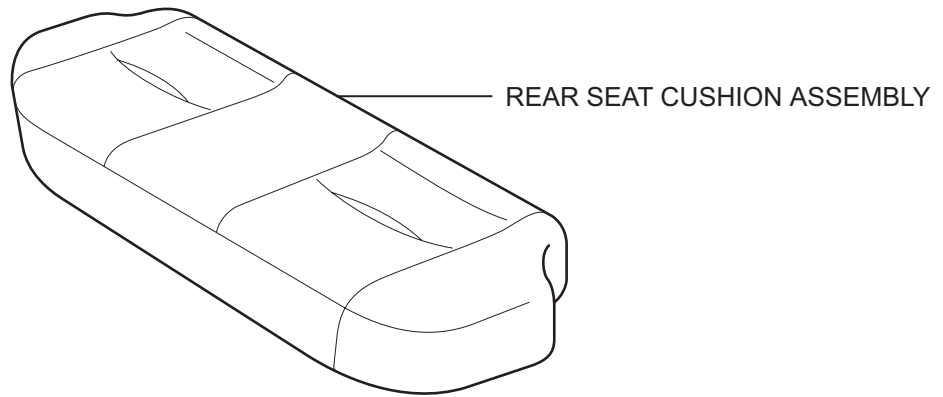


Manual Transaxle

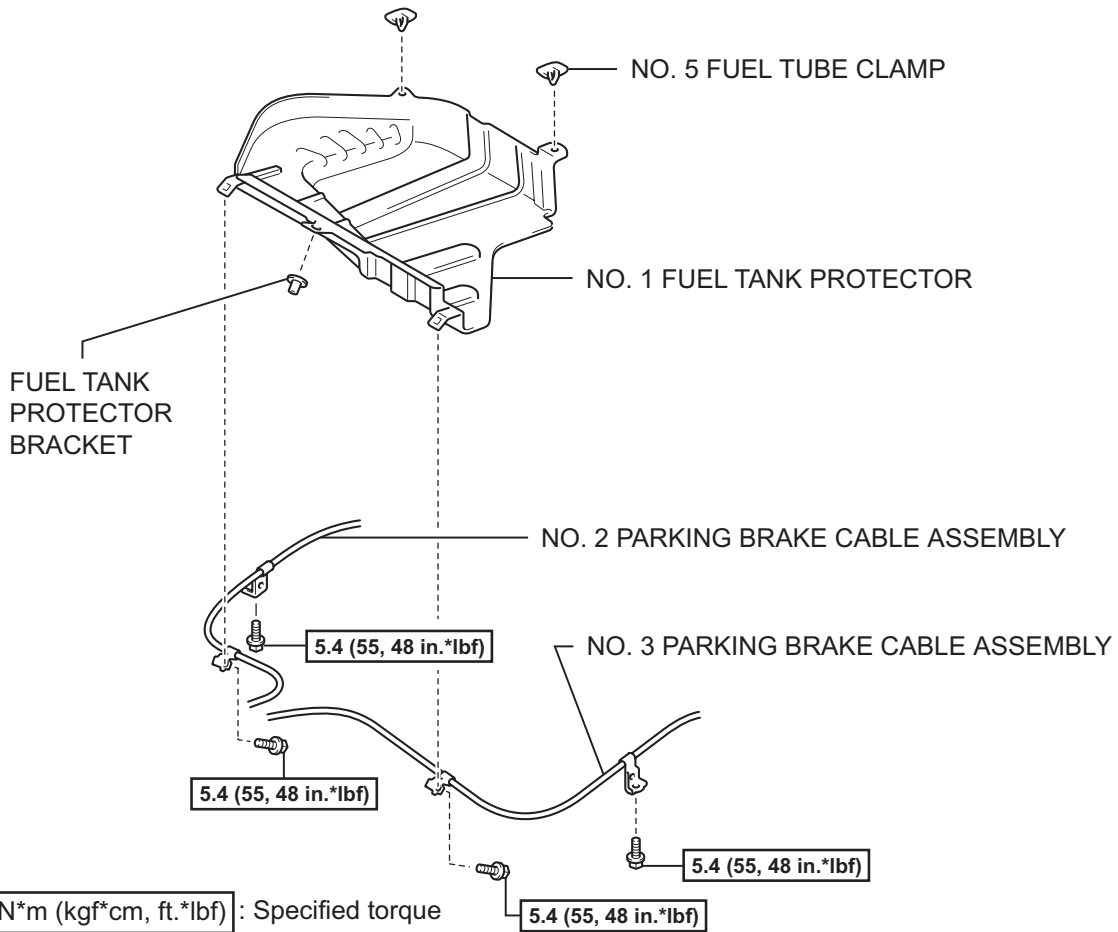
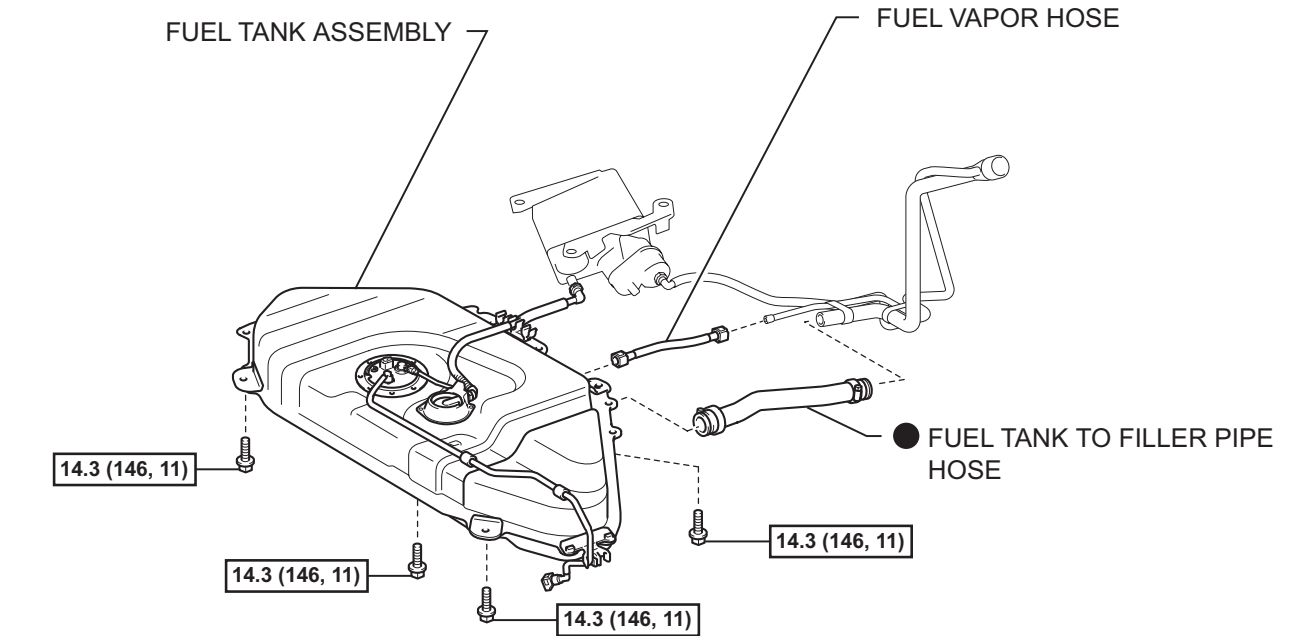


FU

FU

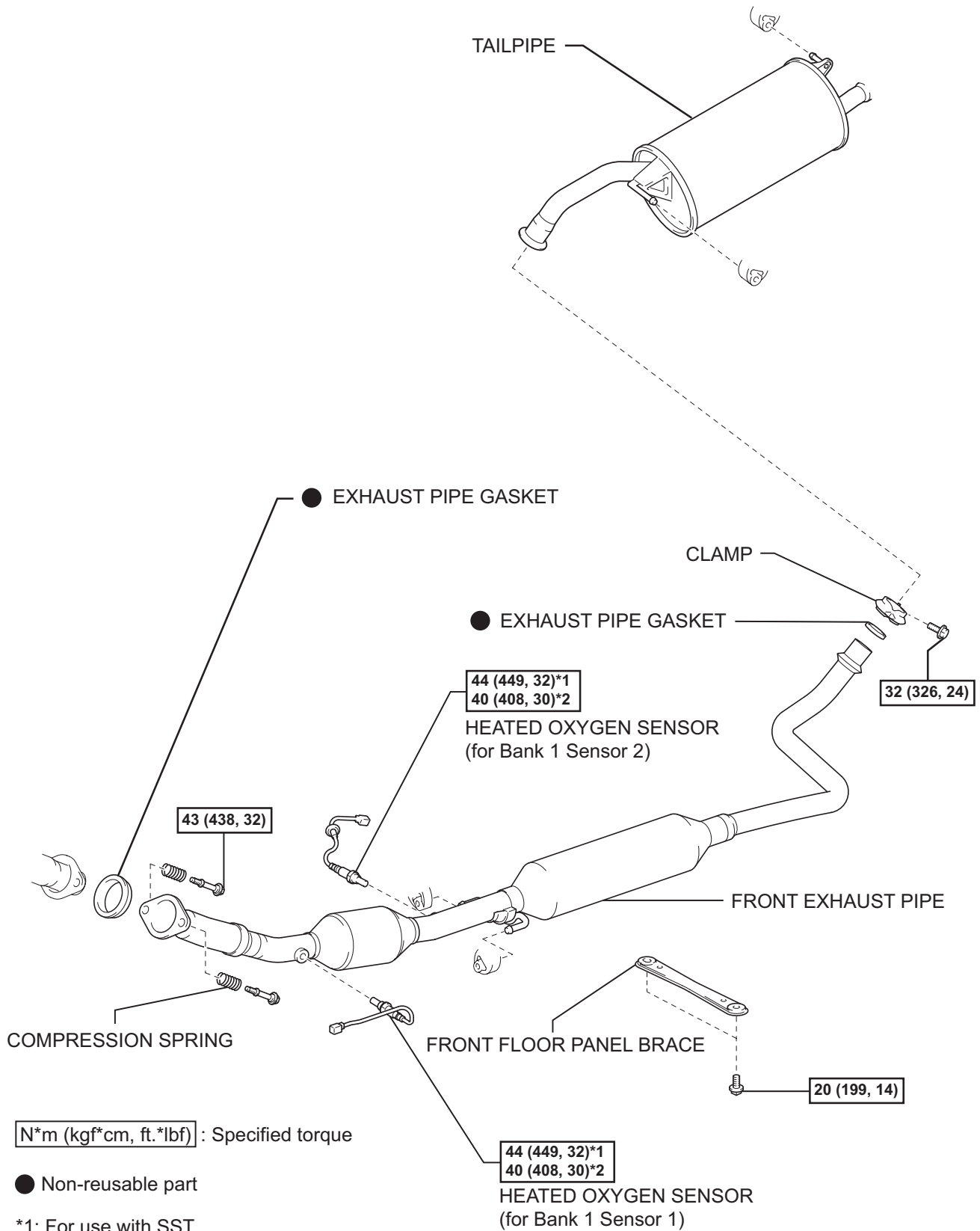


**N\*m (kgf\*cm, ft.\*lbf)** : Specified torque



● Non-reusable part

FU

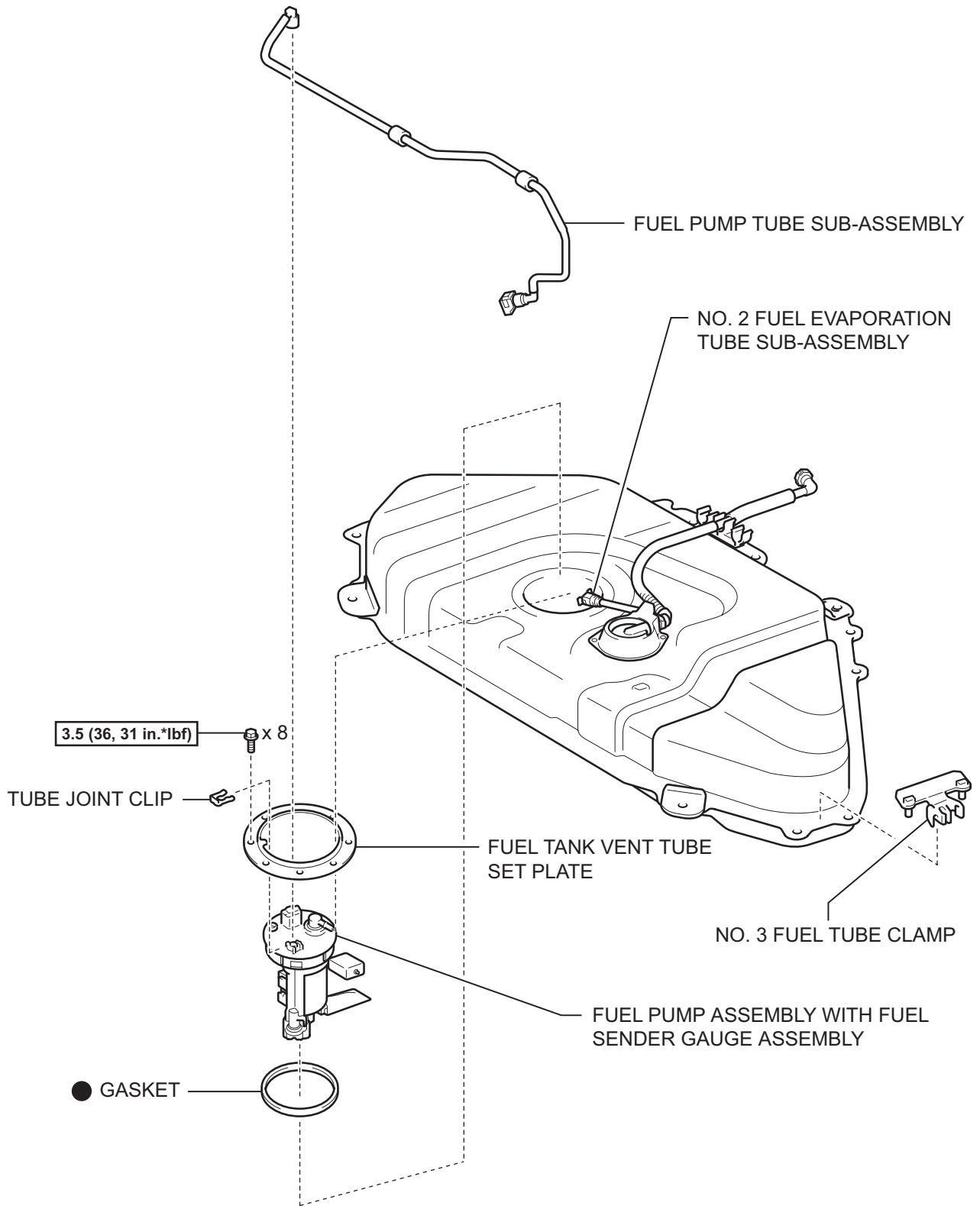


**N\*m (kgf\*cm, ft.\*lbf)** : Specified torque

● Non-reusable part

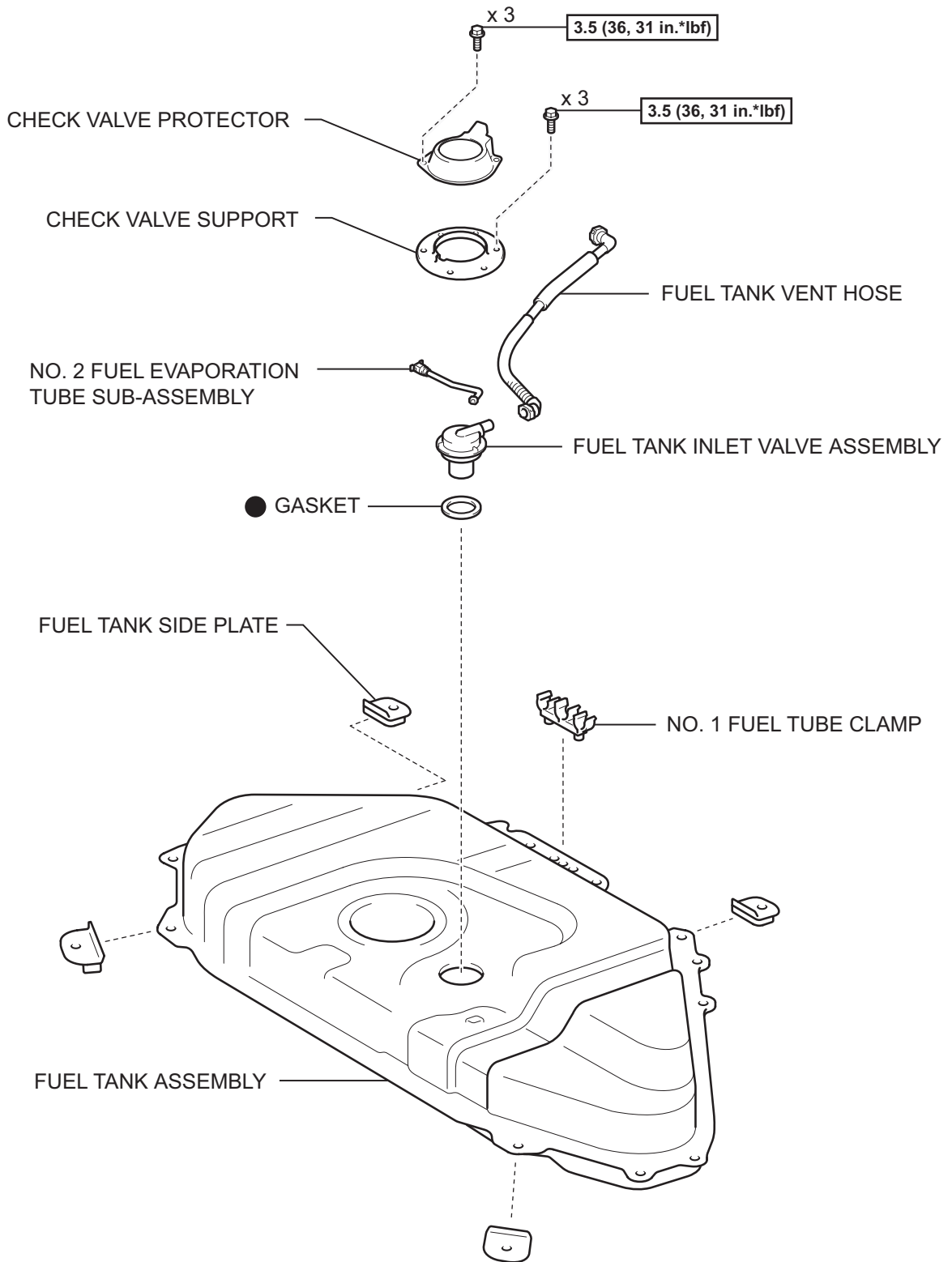
\*1: For use with SST

\*2: For use without SST



**N\*m (kgf\*cm, ft.\*lbf)** : Specified torque

● Non-reusable part



**N\*m (kgf\*cm, ft.\*lbf)** : Specified torque

● Non-reusable part